

UNIT SIZE	MAX CFM	MAX L/S	IMPERIAL UNITS (Inches)							SI UNITS (mm)								
			INLET A	B	C	D	OUTLET		L	G	INLET A	B	C	D	OUTLET		L	G
							E	F							E	F		
4	225	106	4							11 1/2	102							292
5	350	165	5							11 1/2	127							292
6	400	189	6	21	10	11	11 7/8	7 7/8	18	9 1/2	152	533	254	279	302	200	457	241
7	550	259	7							9 1/2	178							241
8	750	354	8							9 1/2	203							241
9	1000	472	9	25	12 1/2	13	13 3/8	12 3/8	20	9 1/2	229	635	318	330	352	314	508	241
10	1300	613	10							9 1/2	251							241
12	1900	896	12	29	15	15	15 7/8	14 7/8	28	9 1/2	305	737	381	381	403	378	711	241
14	2900	1368	14	40	17 1/2	20 1/8	19 7/8	17 3/8	40 3/8	4 3/8	356	1016	445	511	505	441	1026	111
16	3500	1651	16	48	18	24 1/8	23 7/8	17 7/8	47 1/8	4 3/8	406	1219	457	613	606	454	1197	111

NOTES:

- INTERNAL INSULATION – FIBERGLASS 3/4" (19mm) THICK, MIN. 1.5# DENSITY WHICH MEETS REQUIREMENTS OF NFPA 90A AND UL181
- 22 GA. ZINC COATED STEEL HOUSING. MECHANICALLY SEALED AND GASKETED, LEAK RESISTANT CONSTRUCTION
- MAXIMUM L/S (CFM) SETTINGS ARE FOR EITHER HOT OR COLD INLETS
- GAUGE TAPS ARE STANDARD
- PNEUMATIC ACTUATOR SUPPLIED & MOUNTED BY PRICE
- CLEAN, DRY, 20 PSI (138 KPa) CONTROL AIR REQUIRED
- TOTAL FLOW SENSOR TUBES EXIT ON HOT DECK SIDE
- INTERNAL MIXING BAFFLE

OPTIONS:

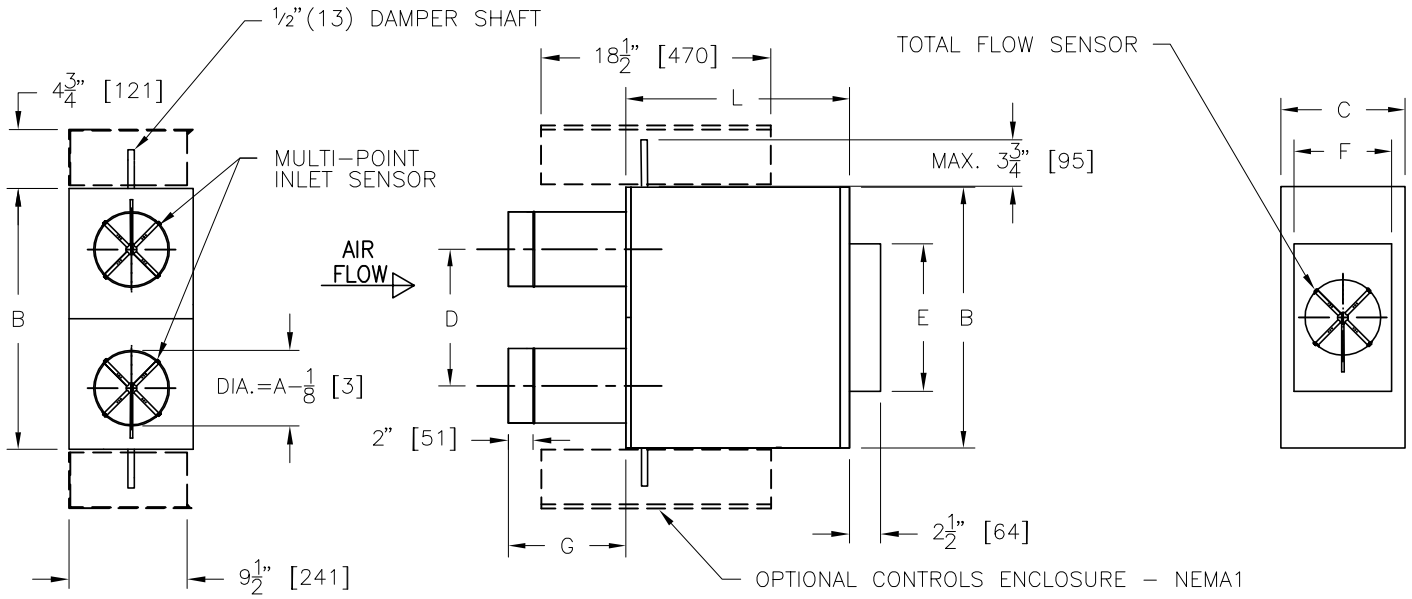
- PNEUMATIC ACTUATOR SUPPLIED BY CONTROL CONTRACTOR & MOUNTED BY PRICE
- CONTROLLER COVER

LINERS AND CONSTRUCTION OPTIONS:

- 1" (25mm) FIBERGLASS
- FF CRWF
- FF50 FB
- CRAF PM
- SM AFPM

ALL METRIC DIMENSIONS () ARE SOFT CONVERTED. IMPERIAL DIMENSIONS ARE CONVERTED TO METRIC AND ROUNDED TO THE NEAREST MILLIMETER.

PROJECT:		PRICE®	
ENGINEER:		GF	DPS8000 DUAL DUCT CONSTANT & VARIABLE PNEUMATIC CONTROL PRESSURE INDEPENDENT
CUSTOMER:		227813	
SUBMITTAL DATE:	SPEC. SYMBOL:	2007/03/15	



UNIT SIZE	MAX CFM	MAX L/S	IMPERIAL UNITS (inches)								SI UNITS (mm)							
			INLET A	B	C	OUTLET		L	G	INLET A	B	C	D	OUTLET		L	G	
						E	F							E	F			
4	225	106	4**							11½	102						292	
5	350	165	5**							11½	127						292	
6	400	189	6	21	10	11	11⅞	7⅞	18	9½	152	533	254	279	302	200	457	241
7	550	259	7							9½	178							
8	750	354	8							9½	203							241
9	1000	472	9	25	12½	13	13⅞	12⅞	20	9½	229	635	318	330	352	314	508	241
10	1300	613	10							9½	251							
12	1900	896	12	29	15	15	15⅞	14⅞	28	9½	305	737	381	381	403	378	711	241
14	2900	1368	14	40	17½	20⅞	19⅞	17⅞	40⅞	4⅞	356	1016	445	511	505	441	1026	111
16	3500	1651	16	48	18	24⅞	23⅞	17⅞	47⅞	4⅞	406	1219	457	613	606	454	1197	111

NOTES:

- INTERNAL INSULATION - FIBERGLASS $\frac{3}{4}$ " (19mm) THICK, MIN. 1.5# DENSITY WHICH MEETS REQUIREMENTS OF NFPA 90A AND UL181
- 22 GA. ZINC COATED STEEL HOUSING. MECHANICALLY SEALED AND GASKETED, LEAK RESISTANT CONSTRUCTION
- MAXIMUM L/S (CFM) SETTINGS ARE FOR EITHER HOT OR COLD INLETS
- TOTAL FLOW SENSOR TUBES EXIT ON HOT DECK SIDE
- DIGITAL CONTROLS BY CONTROL CONTRACTOR
- INTERNAL MIXING BAFFLE
- ** 6" DIAMETER DUCT WITH 4" OR 5" REDUCER

OPTIONS:

- NEMA1 CONTROLS ENCLOSURE
- DISCONNECT SWITCH
- GT - BRASS AIRFLOW SENSOR GAUGE TAPS

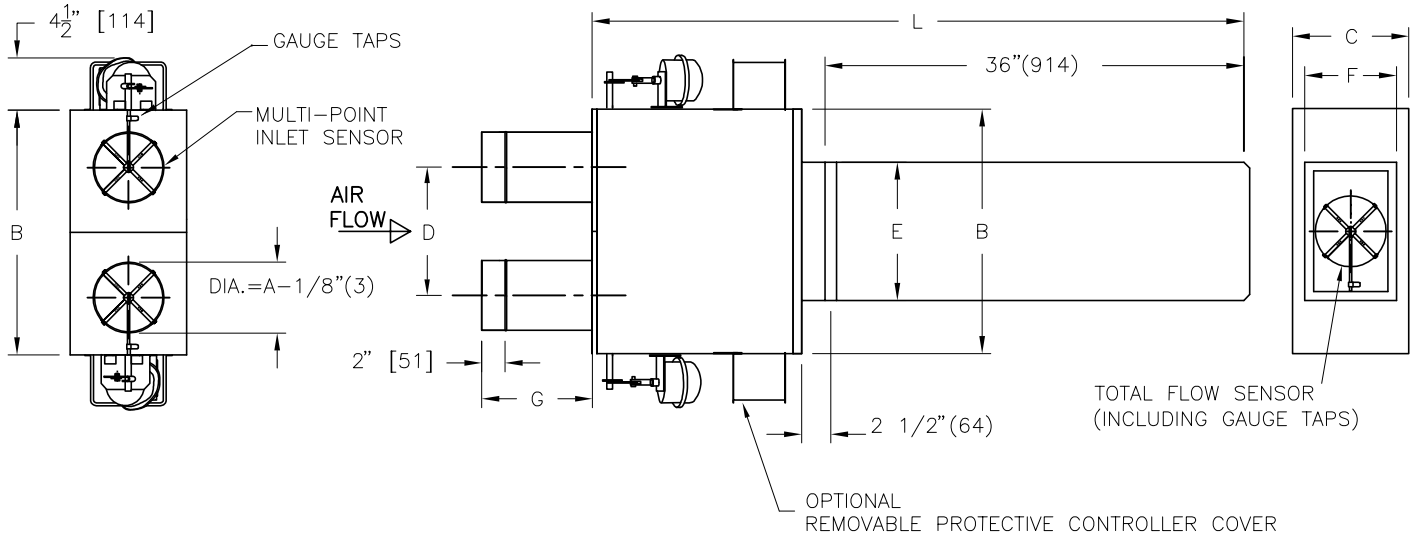
LINERS AND CONSTRUCTION OPTIONS:

- 1" (25mm) FIBERGLASS
- FF CRWF
- FF50 FB
- CRAF PM
- SM AFPM



ALL METRIC DIMENSIONS () ARE SOFT CONVERTED. IMPERIAL DIMENSIONS ARE CONVERTED TO METRIC AND ROUNDED TO THE NEAREST MILLIMETER.

PROJECT:		PRICE®	
ENGINEER:		GF	DDS5000 DUAL DUCT CONSTANT & VARIABLE DIGITAL CONTROLS PRESSURE INDEPENDENT
CUSTOMER:			
SUBMITTAL DATE:	SPEC. SYMBOL:	2007/03/15	



UNIT SIZE	MAX CFM	MAX L/S	IMPERIAL UNITS (inches)								SI UNITS (mm)							
			INLET A	B	C	OUTLET		L	G	INLET A	B	C	D	OUTLET		L	G	
						E	F							E	F			
4	225	106	4	21	10	11	11 7/8	7 7/8	56 1/2	11 1/2	102	533	254	279	302	200	1435	292
5	350	165	5							11 1/2	127							292
6	400	189	6							9 1/2	152							241
7	550	259	7							9 1/2	178							241
8	750	354	8	25	12 1/2	13	13 3/8	12 3/8	58 1/2	9 1/2	203	635	318	330	352	314	241	
9	1000	472	9							9 1/2	229						241	
10	1300	613	10	9 1/2	251	241												
12	1900	896	12	29	15	15	15 7/8	14 7/8	66 1/2	9 1/2	305	737	381	381	403	378	1689	241
14	2900	1368	14	40	17 1/2	20 1/8	19 7/8	17 3/8	78 7/8	4 3/8	356	1016	445	511	505	441	2003	111
16	3500	1651	16	48	18	24 1/8	23 7/8	17 7/8	85 5/8	4 3/8	406	1219	457	613	606	454	2175	111

NOTES:

- INTERNAL INSULATION – FIBERGLASS 3/4" (19mm) THICK, MIN. 1.5# DENSITY WHICH MEETS REQUIREMENTS OF NFPA 90A AND UL181
- 22 GA. ZINC COATED STEEL HOUSING. MECHANICALLY SEALED AND GASKETED, LEAK RESISTANT CONSTRUCTION
- MAXIMUM L/S (CFM) SETTINGS ARE FOR EITHER HOT OR COLD INLETS
- GAUGE TAPS ARE STANDARD
- PNEUMATIC ACTUATOR SUPPLIED & MOUNTED BY PRICE
- CLEAN, DRY, 20 PSI (138 KPa) CONTROL AIR REQUIRED
- TOTAL FLOW SENSOR TUBES EXIT ON HOT DECK SIDE
- INTERNAL MIXING BAFFLE

OPTIONS:

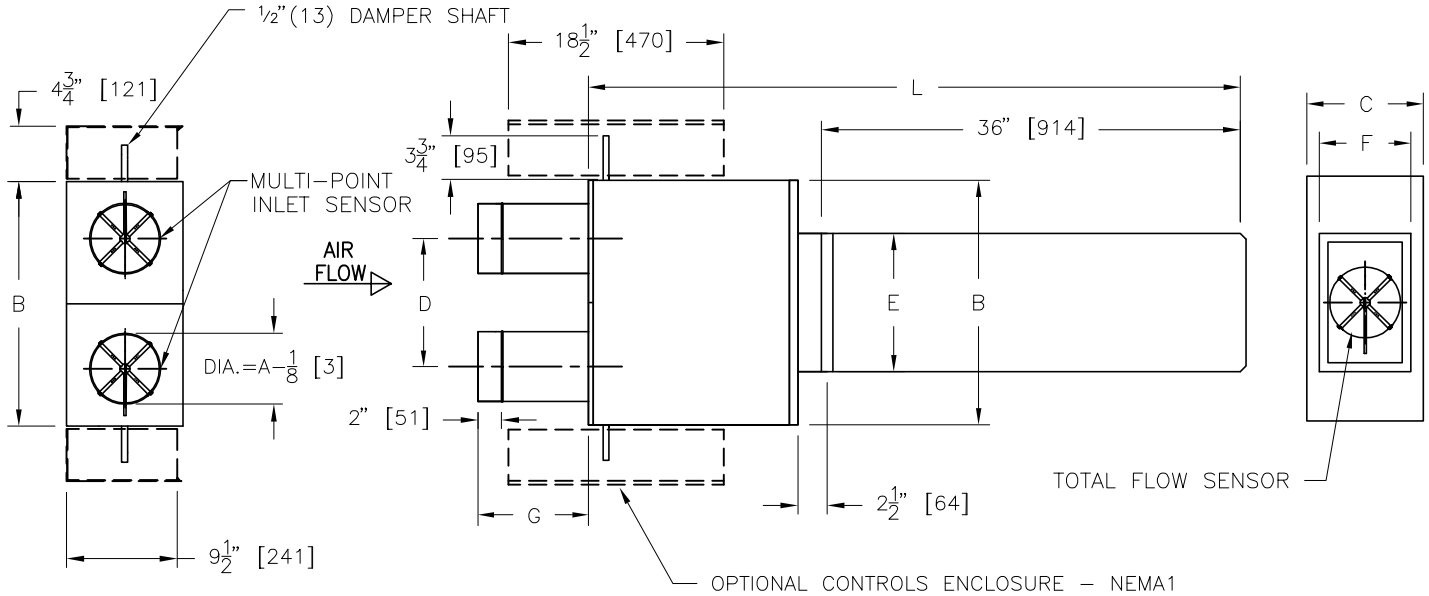
- PNEUMATIC ACTUATOR SUPPLIED BY CONTROL CONTRACTOR & MOUNTED BY PRICE
- CONTROLLER COVER

LINERS AND CONSTRUCTION OPTIONS:

- 1" (25mm) FIBERGLASS
- FF CRWF
- FF50 FB
- CRAF PM
- SM AFPM

ALL METRIC DIMENSIONS () ARE SOFT CONVERTED. IMPERIAL DIMENSIONS ARE CONVERTED TO METRIC AND ROUNDED TO THE NEAREST MILLIMETER.

PROJECT:		PRICE®	
ENGINEER:		GF	DPQ8000 DUAL DUCT QUIET CONSTANT & VARIABLE PNEUMATIC CONTROLS PRESSURE INDEPENDENT
CUSTOMER:			
SUBMITTAL DATE:	SPEC. SYMBOL:	2007/03/15	



UNIT SIZE	MAX CFM	MAX L/S	IMPERIAL UNITS (Inches)								SI UNITS (mm)									
			INLET		B	C	D	OUTLET		L	G	INLET		B	C	D	OUTLET		L	G
			A					E	F			A					E	F		
4	225	106	4							11 1/2	102								292	
5	350	165	5							11 1/2	127								292	
6	400	189	6	21	10	11	11 7/8	7/8	56 1/2	9 1/2	152	533	254	279	302	200	1435	241		
7	550	259	7							9 1/2	178								251	241
8	750	354	8							9 1/2	203									
9	1000	472	9							9 1/2	229									
10	1300	613	10	25	12 1/2	13	13 7/8	12 3/8	58 1/2	9 1/2	251	635	318	330	352	314	1486	241		
12	1900	896	12							29	15								15	15 7/8
14	2900	1368	14	40	17 1/2	20 1/8	19 7/8	17 3/8	78 7/8	4 3/8	356	1016	445	511	505	441	2003	111		
16	3500	1651	16	48	18	24 1/8	23 7/8	17 7/8	85 5/8	4 3/8	406	1219	457	613	606	454	2175	111		

NOTES:

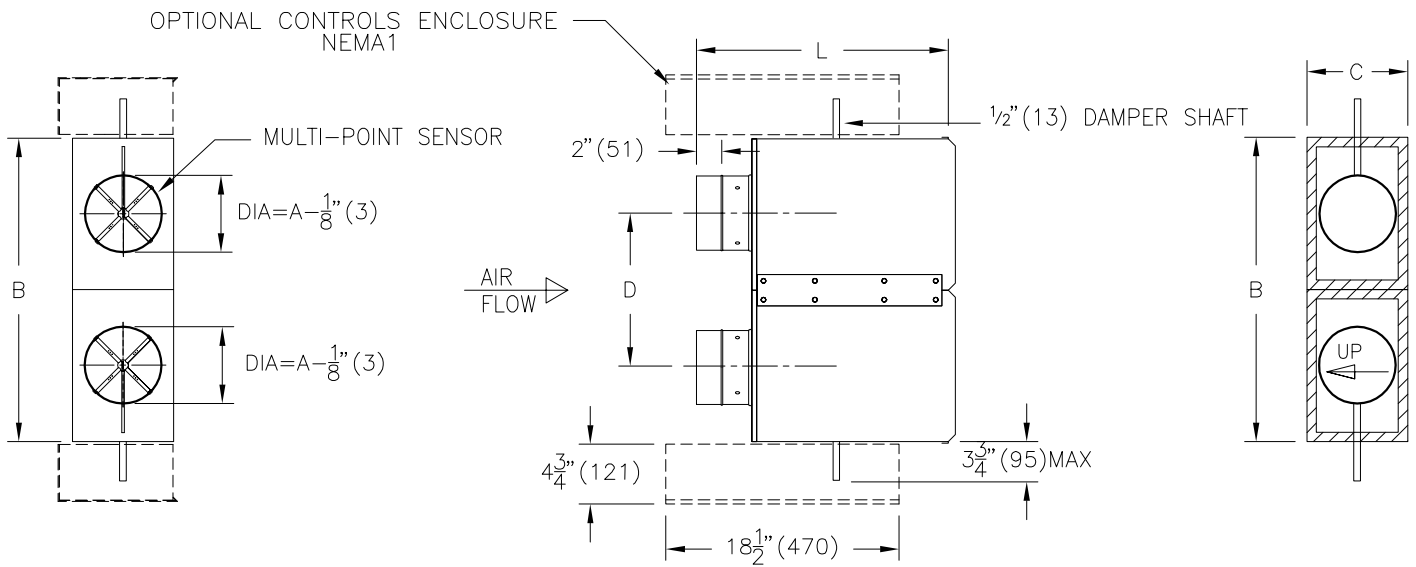
- INTERNAL INSULATION – FIBERGLASS 3/4" (19mm) THICK, MIN. 1.5# DENSITY WHICH MEETS REQUIREMENTS OF NFPA 90A AND UL181
- 22 GA. ZINC COATED STEEL HOUSING. MECHANICALLY SEALED AND GASKETED, LEAK RESISTANT CONSTRUCTION
- MAXIMUM L/S (CFM) SETTINGS ARE FOR EITHER HOT OR COLD INLETS
- TOTAL FLOW SENSOR TUBES EXIT ON HOT DECK SIDE
- DIGITAL CONTROLS BY CONTROL CONTRACTOR
- INTERNAL MIXING BAFFLE

OPTIONS:

- CONTROLS ENCLOSURE
 - DISCONNECT SWITCH
 - GT – BRASS AIRFLOW SENSOR GAUGE TAPS
- LINERS AND CONSTRUCTION OPTIONS:
- 1" (25mm) FIBERGLASS
 - FF FF50
 - CRAF FB
 - CRWF PM
 - SM AFPM

ALL METRIC DIMENSIONS () ARE SOFT CONVERTED. IMPERIAL DIMENSIONS ARE CONVERTED TO METRIC AND ROUNDED TO THE NEAREST MILLIMETER.

PROJECT:		PRICE®	
ENGINEER:		GF	DDQ5000 DUAL DUCT QUIET CONSTANT & VARIABLE DIGITAL CONTROLS PRESSURE INDEPENDENT
CUSTOMER:			
SUBMITTAL DATE:	SPEC. SYMBOL:	2007/03/15	



UNIT SIZE	MAX L/S	MAX CFM	SI UNITS (mm)					IMPERIAL UNITS (Inches)				
			INLET A	B	C	D	L	INLET A	B	C	D	L
4	106	225	102	613	203	308	562	4**	24 1/8	8	12 1/8	22 1/8
5	165	350	127					5**				
6	212	450	152		254	511	6	10				
7	307	650	178				7					
8	378	800	203	714	318	359	9	28 1/8	12 1/2	14 1/8	20 1/8	
9	496	1050	229									10
10	637	1350	254									12
12	991	2100	305	816	381	410	600	14	40 1/8	17 1/2	20 1/8	23 5/8
14	1416	3000	356	1019	445	511		16	48 1/8	18	24 1/8	
16	1888	4000	406	1222	457	613						

** 6" DIAMETER DUCT WITH 4" OR 5" REDUCER.

NOTES:

- INTERNAL INSULATION FIBERGLASS 1/2" (13mm) THICK 1.5# DENSITY WHICH MEETS REQUIREMENTS OF NFPA 90A AND UL181.
- 22GA. ZINC COATED STEEL HOUSING. MECHANICALLY SEALED AND GASKETED, LEAK RESISTANT CONSTRUCTION.
- RECTANGULAR DISCHARGE OPENING WITH SLIP AND DRIVE CLEAT DUCT CONNECTION.
- DIGITAL CONTROLS BY CONTROL CONTRACTOR.

OPTIONS:

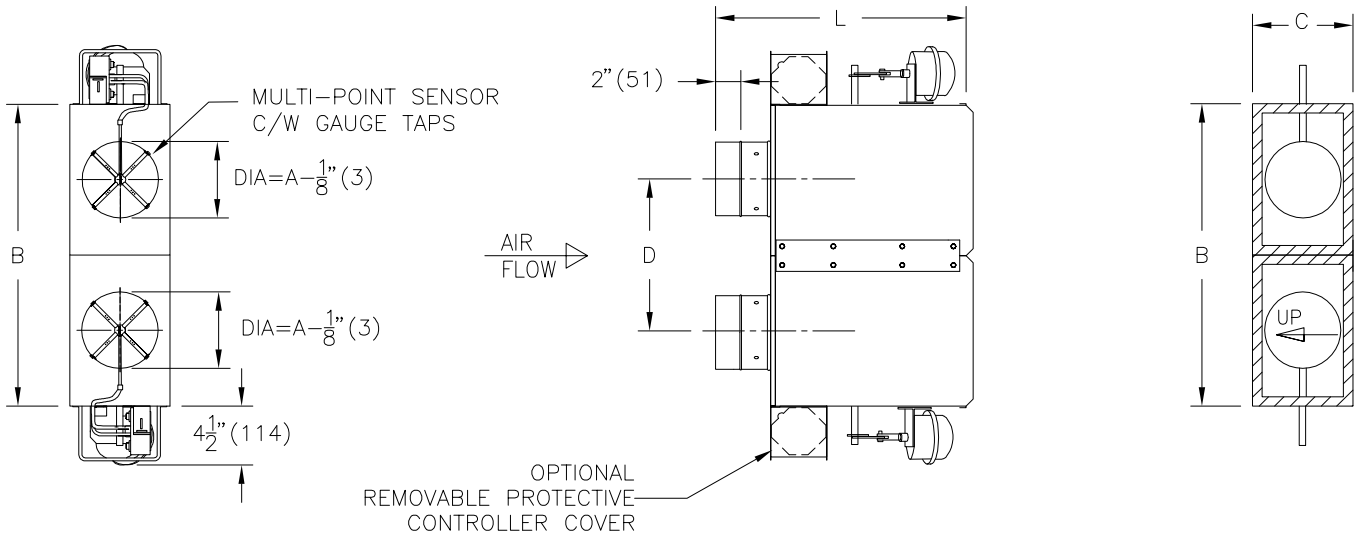
- NEMA1 CONTROLS ENCLOSURE
- DISCONNECT SWITCH
- LINERS AND CONSTRUCTION OPTIONS:
 - 1" (25mm) FIBERGLASS
 - FF FF50 PM
 - CRAF AFPM LL
 - SM CRWF FB

DDV5000 INCLUDES:

- MULTI-POINT SENSOR SUPPLIED BY PRICE.

ALL METRIC DIMENSIONS () ARE SOFT CONVERTED. IMPERIAL DIMENSIONS ARE CONVERTED TO METRIC AND ROUNDED TO THE NEAREST MILLIMETER.

PROJECT:		PRICE®	
ENGINEER:		BE	DDV5000 DUAL DUCT VARIABLE VOLUME DIGITAL CONTROL BY OTHERS
CUSTOMER:		243574	
SUBMITTAL DATE:	SPEC. SYMBOL:	2007/03/15	



UNIT SIZE	MAX L/S	MAX CFM	SI UNITS (mm)					IMPERIAL UNITS (Inches)					
			INLET A	B	C	D	L	INLET A	B	C	D	L	
4	106	225	102	613	203	308	562	4	24 1/8	8	12 1/8	22 1/8	
5	165	350	127					5					
6	212	450	152				511	6				10	20 1/8
7	307	650	178					7					
8	378	800	203	714	318	359	8	28 1/8	12 1/2	14 1/8			
9	496	1050	229				9						
10	637	1350	254				10						
12	991	2100	305	816	381	410	12	32 1/8	15	16 1/8	23 5/8		
14	1416	3000	356	1019	445	511	14	40 1/8	17 1/2	20 1/8			
16	1888	4000	406	1222	457	613	600	16	48 1/8	18		24 1/8	

NOTES:

- INTERNAL INSULATION – FIBERGLASS 1/2" (13mm) THICK MIN. 1.5# DENSITY WHICH MEETS REQUIREMENTS OF NFPA 90A AND UL181.
- 22 GA. ZINC COATED STEEL HOUSING. MECHANICALLY SEALED AND GASKETED, LEAK RESISTANT CONSTRUCTION.
- RECTANGULAR DISCHARGE OPENING WITH SLIP AND DRIVE CLEAT DUCT CONNECTION.
- GAUGE TAPS ARE STANDARD.
- PNEUMATIC ACTUATOR SUPPLIED & MOUNTED BY PRICE.
- CLEAN, DRY, 20 PSI (138 KPa) CONTROL AIR REQUIRED.

OPTIONS:

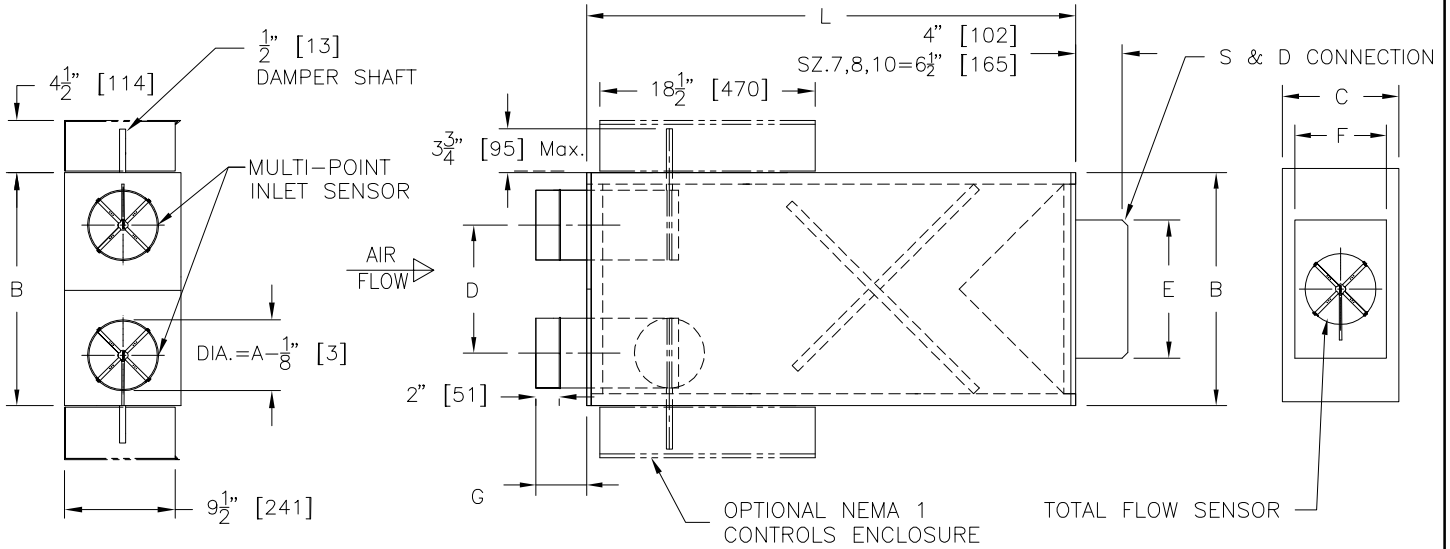
- OTHER PNEUMATIC ACTUATORS SUPPLIED & MOUNTED BY PRICE.
- PNEUMATIC ACTUATOR SUPPLIED BY CONTROL CONTRACTOR & MOUNTED BY PRICE.
- PROTECTIVE CONTROLLER COVER.

LINERS AND CONSTRUCTION OPTIONS:

- 1" (25mm) FIBERGLASS
- FF FF50 LL
- CRAF AFPM FB
- SM CRWF PM

ALL METRIC DIMENSIONS () ARE SOFT CONVERTED. IMPERIAL DIMENSIONS ARE CONVERTED TO METRIC AND ROUNDED TO THE NEAREST MILLIMETER.

PROJECT:		PRICE [®]	
ENGINEER:		BG	DPV8000 DUAL DUCT VARIABLE VOLUME PNEUMATIC CONTROL PRESSURE INDEPENDENT
CUSTOMER:		243575	
SUBMITTAL DATE:	SPEC. SYMBOL:	2005/10/01	



UNIT SIZE	MAX CFM	MAX L/S	IMPERIAL UNITS (Inches)								SI UNITS (mm)											
			INLET				OUTLET				L	G	INLET				OUTLET				L	G
			A	B	C	D	E	F	A	B			C	D	E	F						
4	225	106	4	24	12 1/2	15 1/2	11 7/8	7 7/8	47	6 3/8	102	610	318	394	302	200	1194	162				
5	350	165	5								127											
6	400	189	6								152								9 7/8	251		
7	550	259	7								178											
8	750	354	8	203	32	15	20 1/2	13 7/8	12 3/8	55	4 3/8	813	381	521	352	314	1397	111				
9	1000	472	9	343																		
10	1300	613	10	394																		
12	1900	896	12	498															403	378		
14	2900	1368	14	505	441	1524																
16	3500	1651	16	606			40	17 1/2	19 5/8	15 7/8	14 7/8	60	4 3/8	1016	445	498	505	441	1524	111		
				454	1829																	

NOTES:

- INTERNAL INSULATION 3/4" (19mm) 1.5LB DENSITY FIBERGLASS WHICH MEETS REQUIREMENTS OF NFPA 90A, UL181, AND ASTM C-665.
- 22 GA. ZINC COATED STEEL HOUSING. MECHANICALLY SEALED AND GASKETED, LEAK RESISTANT CONSTRUCTION.
- MAXIMUM L/S (CFM) SETTINGS ARE FOR EITHER HOT OR COLD INLETS.
- TOTAL FLOW SENSOR TUBES EXIT ON HOT DECK SIDE.
- DIGITAL CONTROLS BY CONTROL CONTRACTOR

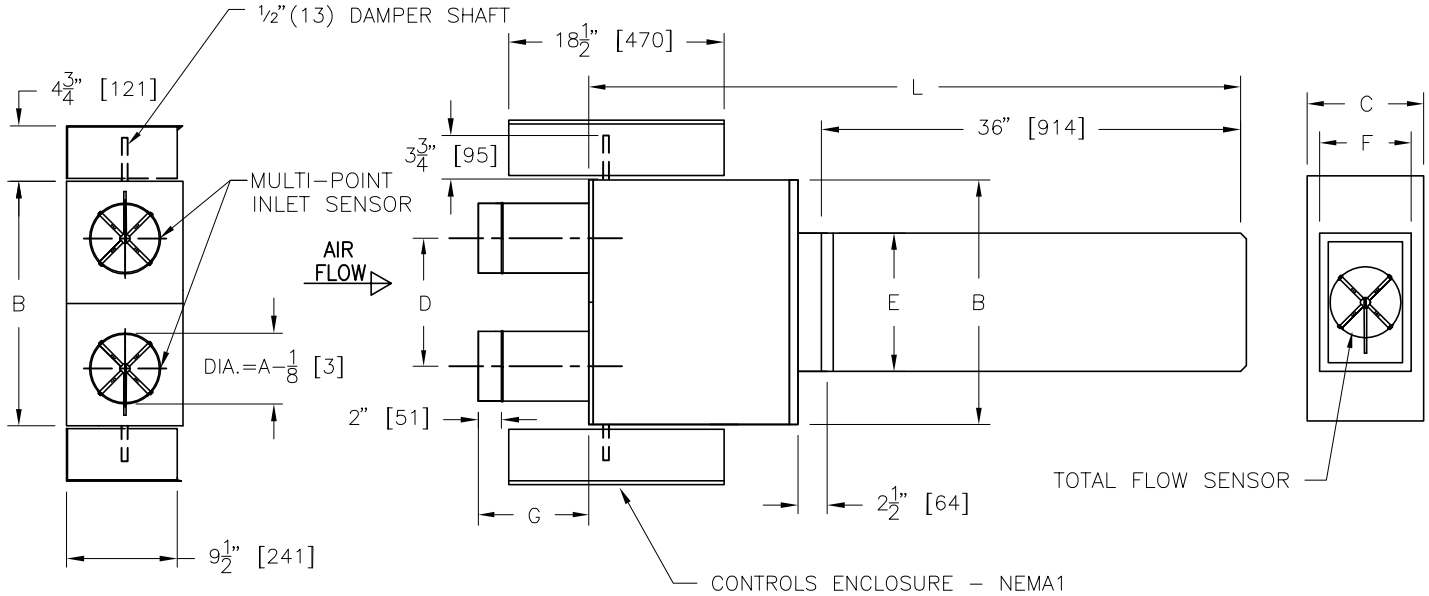
OPTIONS:

- NEMA1 CONTROLS ENCLOSURE
 - DISCONNECT SWITCH
- LINERS:**
- FF
 - FF50
 - CRAF
 - CRWF
 - 1" (25) FIBERGLASS
 - FB
 - SM
 - PM
 - AFFPM



ALL METRIC DIMENSIONS () ARE SOFT CONVERTED. IMPERIAL DIMENSIONS ARE CONVERTED TO METRIC AND ROUNDED TO THE NEAREST MILLIMETER.

PROJECT:		PRICE®	
ENGINEER:			
CUSTOMER:		DDM5000	
SUBMITTAL DATE:		DUAL DUCT HIGH MIXING DIGITAL CONTROLS PRESSURE INDEPENDENT	
SPEC. SYMBOL:		245966	
		2007/03/15	



UNIT SIZE	MAX CFM	MAX L/S	IMPERIAL UNITS (inches)								SI UNITS (mm)									
			INLET		B	C	D	OUTLET		L	G	INLET		B	C	D	OUTLET		L	G
			A					E	F			A					E	F		
4	225	106	4							11 1/2	102								292	
5	350	165	5							11 1/2	127								292	
6	400	189	6	21	10	11	11 7/8	7/8	56 1/2	9 1/2	152	533	254	279	302	200	1435	241		
7	550	259	7							9 1/2	178								251	241
8	750	354	8							9 1/2	203									
9	1000	472	9							9 1/2	229									
10	1300	613	10	25	12 1/2	13	13 7/8	12 3/8	58 1/2	9 1/2	251	635	318	330	352	314	1486	241		
12	1900	896	12							29	15								15	15 7/8
14	2900	1368	14	40	17 1/2	20 1/8	19 7/8	17 3/8	78 7/8	4 3/8	356	1016	445	511	505	441	2003	111		
16	3500	1651	16	48	18	24 1/8	23 7/8	17 7/8	85 5/8	4 3/8	406	1219	457	613	606	454	2175	111		

NOTES:

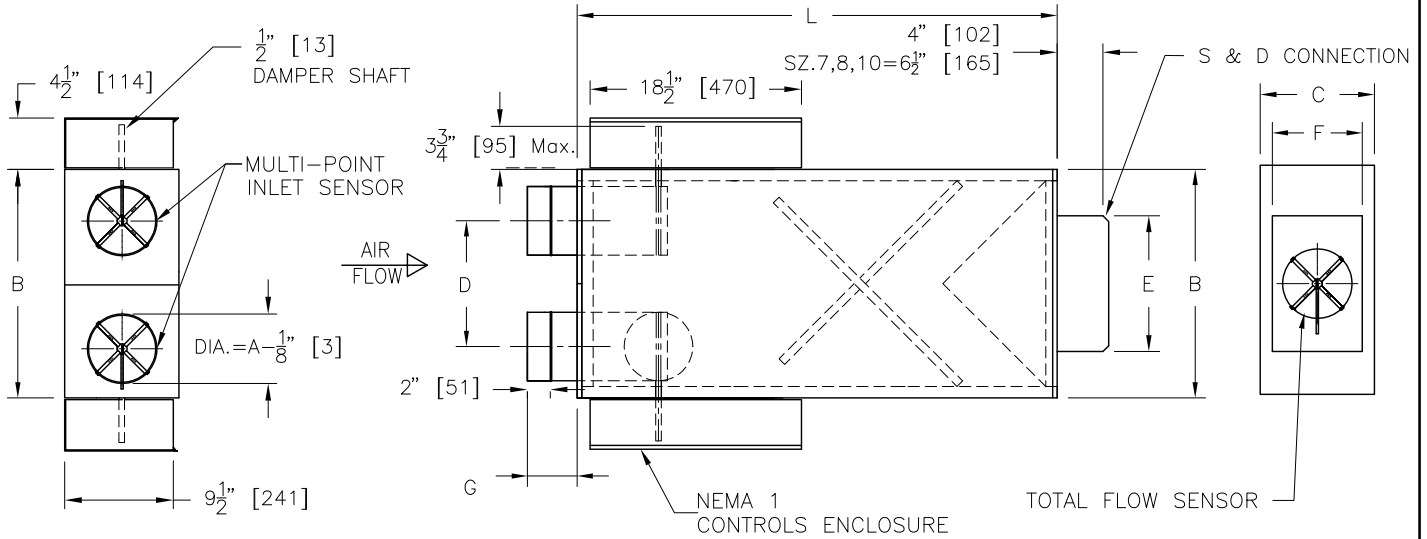
- INTERNAL INSULATION – FIBERGLASS 3/4" (19mm) THICK, MIN. 1.5# DENSITY WHICH MEETS REQUIREMENTS OF NFPA 90A AND UL181
- 22 GA. ZINC COATED STEEL HOUSING. MECHANICALLY SEALED AND GASKETED, LEAK RESISTANT CONSTRUCTION
- MAXIMUM L/S (CFM) SETTINGS ARE FOR EITHER HOT OR COLD INLETS
- TOTAL FLOW SENSOR TUBES EXIT ON HOT DECK SIDE
- INTERNAL MIXING BAFFLE
- DDQ8000 INCLUDES:
 - DUAL MULTI-POINT SENSOR BY PRICE
 - PRICE CONTROLS FACTORY MOUNTED
 - PRICE THERMOSTAT FIELD MOUNTED

OPTIONS:

- DISCONNECT SWITCH
- LINERS AND CONSTRUCTION OPTIONS:
 - 1" (25mm) FIBERGLASS
 - FF
 - FF50
 - FB
 - CRAF
 - CRWF
 - SM
 - PM
 - AFPM

ALL METRIC DIMENSIONS () ARE SOFT CONVERTED. IMPERIAL DIMENSIONS ARE CONVERTED TO METRIC AND ROUNDED TO THE NEAREST MILLIMETER.

PROJECT:		PRICE®	
ENGINEER:			
CUSTOMER:		DDQ8000	
SUBMITTAL DATE:		DUAL DUCT QUIET CONSTANT & VARIABLE PRICE CONTROLS PRESSURE INDEPENDENT	
SPEC. SYMBOL:		253227	
		2009/10/02	



UNIT SIZE	MAX CFM	MAX L/S	IMPERIAL UNITS (Inches)								SI UNITS (mm)							
			INLET		B	C	OUTLET		L	G	INLET		B	C	OUTLET		L	G
			A	D			E	F			A	D			E	F		
4	225	106	4							6 3/8	102						162	
5	350	165	5			15 1/2		7 7/8			127							
6	400	189	6	24	12 1/2	11 7/8	9 7/8	47	60	4 3/8	152	610	318	302	251	1194	111	
7	550	259	7								178							368
8	750	354	8			13 1/2					203			343				
9	1000	472	9	32	15	20 1/2	13 7/8	12 3/8	55	4 3/8	229	813	381	352	314	1397	111	
10	1300	613	10								15 1/2							394
12	1900	896	12	40	17 1/2	19 5/8	15 7/8	14 7/8	60	4 3/8	305	1016	445	498	403	378	1524	
14	2900	1368	14								19 5/8							498
16	3500	1651	16	48	18	24 1/8	23 7/8	17 7/8	72	4 3/8	406	1219	457	613	606	454	1829	

NOTES:

- INTERNAL INSULATION 3/4" (19mm) 1.5LB DENSITY FIBERGLASS WHICH MEETS REQUIREMENTS OF NFPA 90A, UL181, AND ASTM C-665.
- 22 GA. ZINC COATED STEEL HOUSING. MECHANICALLY SEALED AND GASKETED, LEAK RESISTANT CONSTRUCTION.
- MAXIMUM L/S (CFM) SETTINGS ARE FOR EITHER HOT OR COLD INLETS.
- TOTAL FLOW SENSOR TUBES EXIT ON HOT DECK SIDE.
- DDM8000 INCLUDES:
 - DUAL MULTI-POINT SENSOR BY PRICE
 - PRICE CONTROLS FACTORY MOUNTED
 - PRICE THERMOSTAT FIELD MOUNTED

OPTIONS:

- DISCONNECT SWITCH

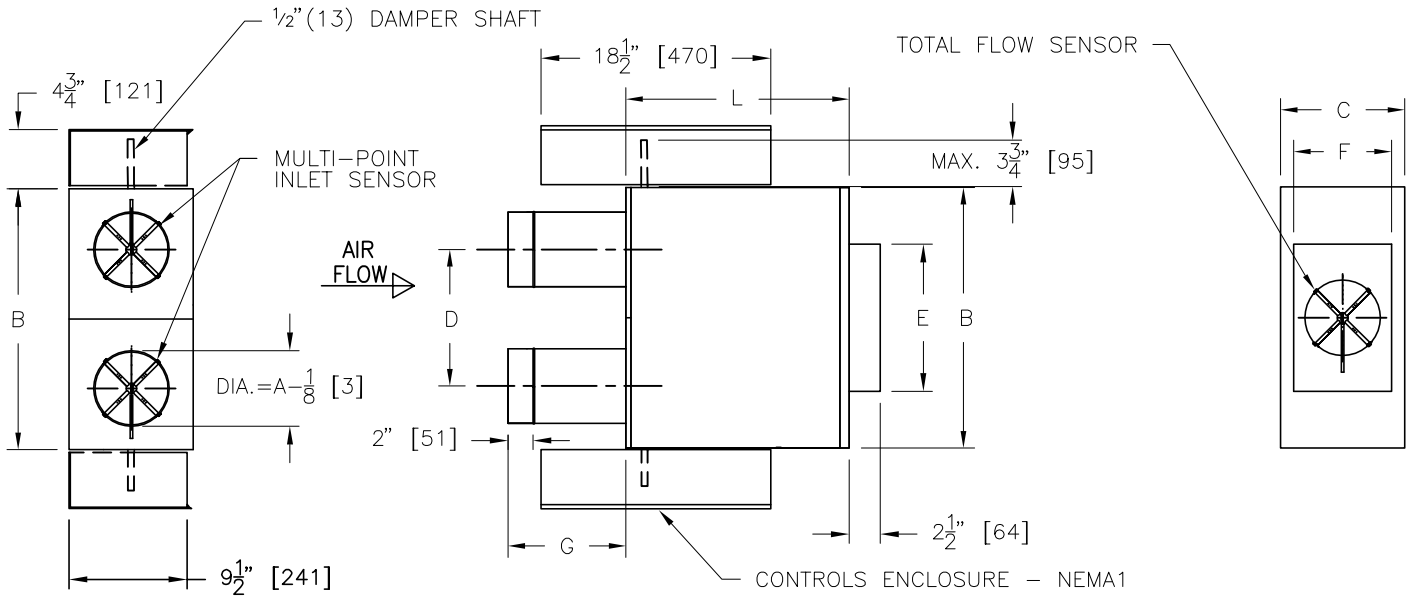
LINERS:

- 1" (25) FIBERGLASS
- FF50
- FF
- CRAF
- CRWF
- FB
- SM
- PM
- AFPM



ALL METRIC DIMENSIONS () ARE SOFT CONVERTED. IMPERIAL DIMENSIONS ARE CONVERTED TO METRIC AND ROUNDED TO THE NEAREST MILLIMETER.

PROJECT:		PRICE [®]	
ENGINEER:		BG	DDM8000 DUAL DUCT HIGH MIXING PRICE CONTROLS PRESSURE INDEPENDENT
CUSTOMER:		253228	
SUBMITTAL DATE:	SPEC. SYMBOL:	2011/04/19	



UNIT SIZE	MAX CFM	MAX L/S	IMPERIAL UNITS (inches)								SI UNITS (mm)							
			INLET A	B	C	OUTLET		L	G	INLET A	B	C	OUTLET		L	G		
						E	F						E	F				
4	225	106	4**	21	10	11	11 ⁷ / ₈	7 ⁷ / ₈	18	11 ¹ / ₂	102	533	254	279	302	200	457	292
5	350	165	5**								127							292
6	400	189	6					152			241							
7	550	259	7					178			241							
8	750	354	8	25	12 ¹ / ₂	13	13 ⁷ / ₈	9 ⁷ / ₈	20	203	635	318	330	352	314	508	241	
9	1000	472	9					229		241								
10	1300	613	10	251	241													
12	1900	896	12	29	15	15	15 ⁷ / ₈	14 ⁷ / ₈	28	9 ¹ / ₂	305	737	381	381	403	378	711	241
14	2900	1368	14	40	17 ¹ / ₂	20 ¹ / ₈	19 ⁷ / ₈	17 ³ / ₈	40 ³ / ₈	4 ³ / ₈	356	1016	445	511	505	441	1026	111
16	3500	1651	16	48	18	24 ¹ / ₈	23 ⁷ / ₈	17 ⁷ / ₈	47 ¹ / ₈	4 ³ / ₈	406	1219	457	613	606	454	1197	111

NOTES:

- INTERNAL INSULATION - FIBERGLASS 3/4" (19mm) THICK, MIN. 1.5# DENSITY WHICH MEETS REQUIREMENTS OF NFPA 90A AND UL181
- 22 GA. ZINC COATED STEEL HOUSING. MECHANICALLY SEALED AND GASKETED, LEAK RESISTANT CONSTRUCTION
- MAXIMUM L/S (CFM) SETTINGS ARE FOR EITHER HOT OR COLD INLETS
- TOTAL FLOW SENSOR TUBES EXIT ON HOT DECK SIDE
- INTERNAL MIXING BAFFLE
- DDS8000 INCLUDES:
 - DUAL MULTI-POINT SENSOR BY PRICE
 - PRICE CONTROLS FACTORY MOUNTED
 - PRICE THERMOSTANT FIELD MOUNTED

** 6" DIAMETER DUCT WITH 4" OR 5" REDUCER.

OPTIONS:

- DISCONNECT SWITCH

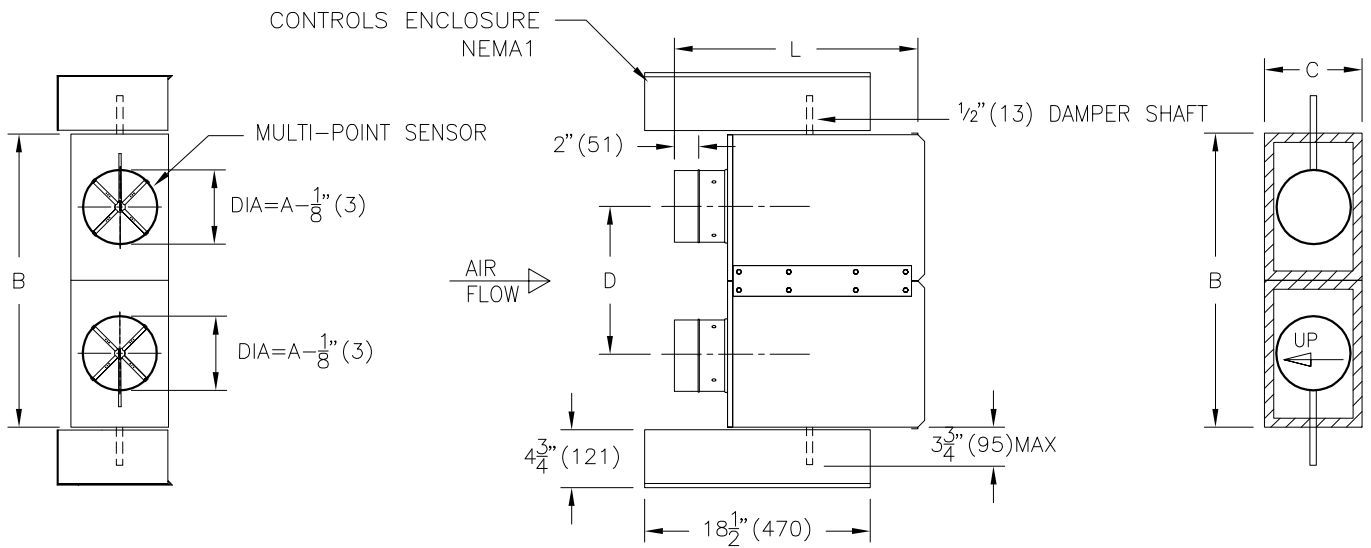
LINERS AND CONSTRUCTION OPTIONS:

- 1" (25mm) FIBERGLASS
- FF CRWF
- FF50 FB
- CRAF AFPM
- SM PM



ALL METRIC DIMENSIONS () ARE SOFT CONVERTED. IMPERIAL DIMENSIONS ARE CONVERTED TO METRIC AND ROUNDED TO THE NEAREST MILLIMETER.

PROJECT:		PRICE®	
ENGINEER:		GF	DDS8000 DUAL DUCT CONSTANT & VARIABLE PRICE CONTROLS PRESSURE INDEPENDENT
CUSTOMER:			
SUBMITTAL DATE:	SPEC. SYMBOL:	2009/10/02	



UNIT SIZE	MAX L/S	MAX CFM	SI UNITS (mm)					IMPERIAL UNITS (Inches)					
			INLET A	B	C	D	L	INLET A	B	C	D	L	
4	106	225	102	613	203	308	562	4**	24 1/8	8	12 1/8	22 1/8	
5	165	350	127					5					
6	212	450	152				511	6				10	20 1/8
7	307	650	178					7					
8	378	800	203	714	318	359	8	28 1/8	12 1/2	14 1/8	20 1/8		
9	496	1050	229				9						
10	637	1350	254	816	381	410	10	32 1/8	15	16 1/8	23 5/8		
12	991	2100	305				12						
14	1416	3000	356	1019	445	511	14	40 1/8	17 1/2	20 1/8	23 5/8		
16	1888	4000	406				16						

** 6" DIAMETER DUCT WITH 4" OR 5" REDUCER.

NOTES:

- INTERNAL INSULATION FIBERGLASS 1/2" (13mm) THICK 1.5# DENSITY WHICH MEETS REQUIREMENTS OF NFPA 90A AND UL181.
- 22GA. ZINC COATED STEEL HOUSING. MECHANICALLY SEALED AND GASKETED, LEAK RESISTANT CONSTRUCTION.
- RECTANGULAR DISCHARGE OPENING WITH SLIP AND DRIVE CLEAT DUCT CONNECTION.
- DDV8000 INCLUDES:
 - DUAL MULTI-POINT SENSOR BY PRICE
 - PRICE CONTROLS FACTORY MOUNTED
 - PRICE THERMOSTAT FIELD MOUNTED

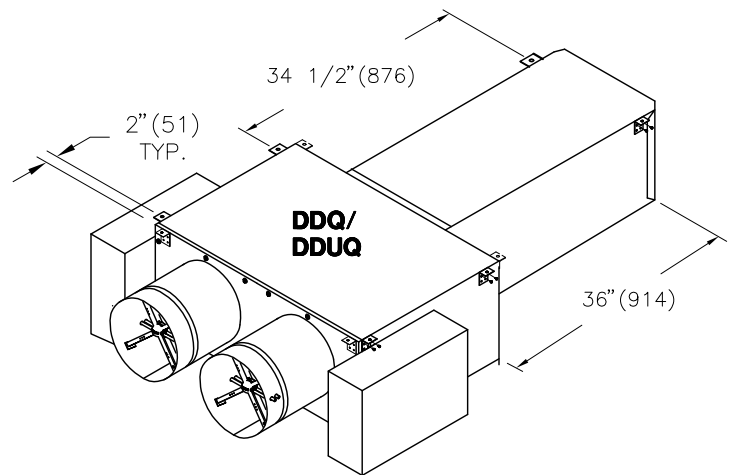
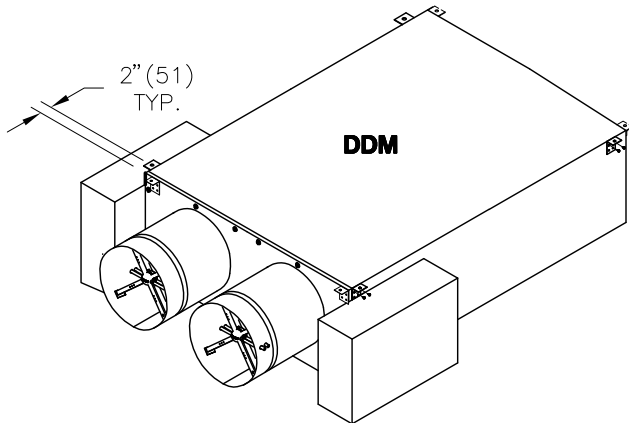
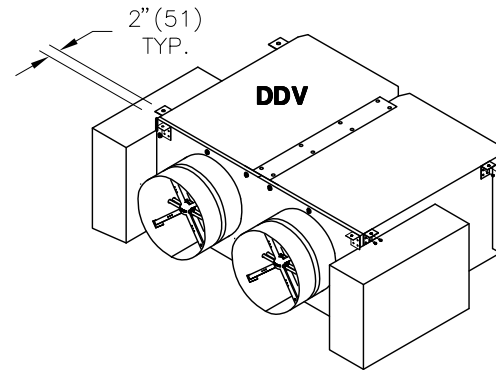
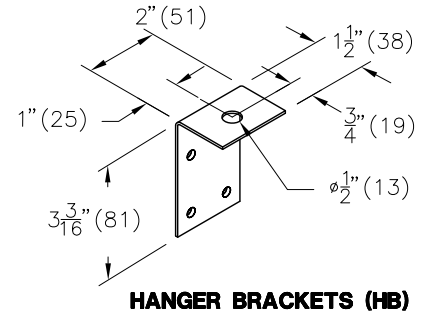
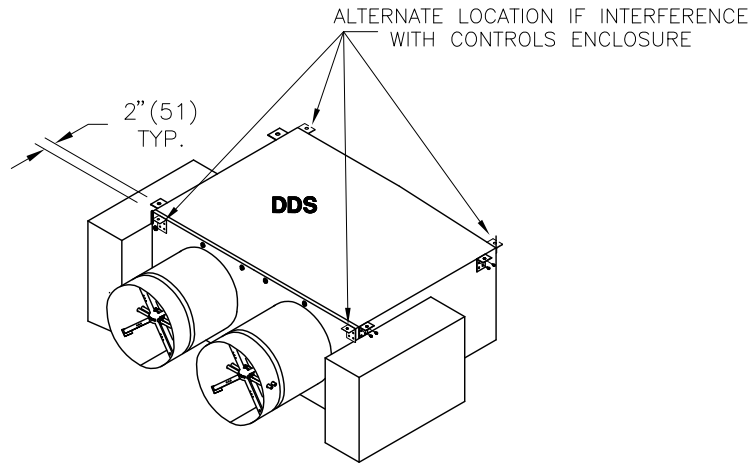
OPTIONS:

- DISCONNECT SWITCH
- LINERS AND CONSTRUCTION OPTIONS:
 - 1" (25mm) FIBERGLASS
 - FF FF50 PM SM
 - CRWF AFPM LL FB
 - CRAF

ALL METRIC DIMENSIONS () ARE SOFT CONVERTED. IMPERIAL DIMENSIONS ARE CONVERTED TO METRIC AND ROUNDED TO THE NEAREST MILLIMETER.

PROJECT:		PRICE®	
ENGINEER:		BE	DDV8000 DUAL DUCT VARIABLE VOLUME PRICE CONTROLS PRESSURE INDEPENDENT
CUSTOMER:		253230	
SUBMITTAL DATE:	SPEC. SYMBOL:	2009/10/02	

**HANGER BRACKETS (HB)
LOCATION**



NOTES:

- HANGER BRACKET ARE 12 GAUGE ZINC COATED STEEL.
- 4 PER UNIT, 2 PER ATTENUATOR.
- BRACKETS ARE SHIPPED LOOSE FOR FIELD INSTALLATION FOR USE WITH THREADED HANGER RODS. (BY OTHERS)
- LAYOUT INDICATES SUGGESTED HANGER BRACKET LOCATIONS.

ALL METRIC DIMENSIONS () ARE SOFT CONVERTED. IMPERIAL DIMENSIONS ARE CONVERTED TO METRIC AND ROUNDED TO THE NEAREST MILLIMETER.

PROJECT:		PRICE [®]	
ENGINEER:		BG	ACCESSORIES HANGER BRACKETS (HB) LOCATIONS FOR DDS, DDQ & DDV
CUSTOMER:		255510	
SUBMITTAL DATE:	SPEC. SYMBOL:	2011/07/19	